

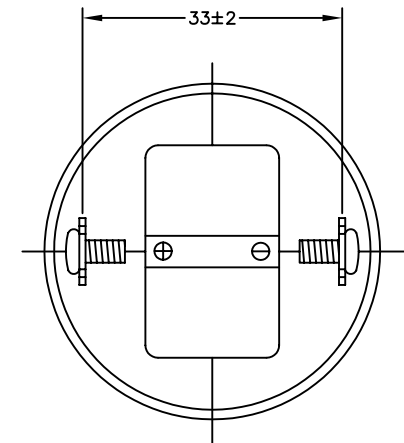
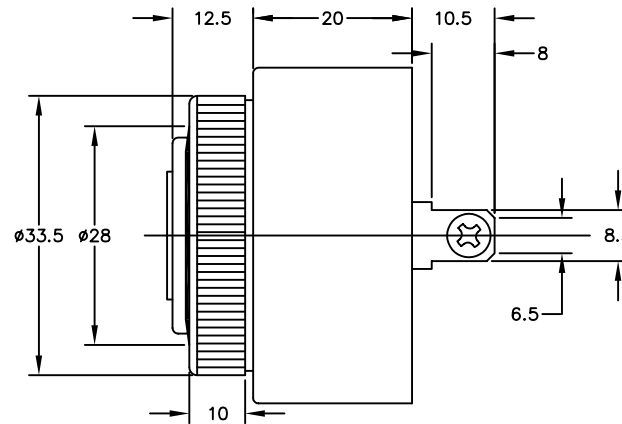
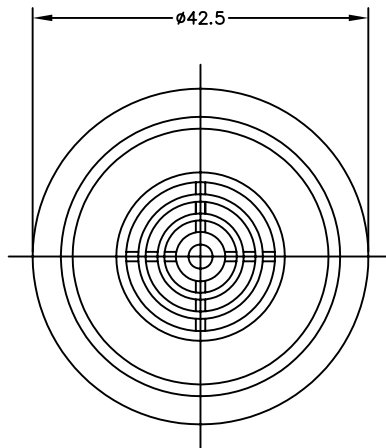
THIS DOCUMENT CONTAINS DATA PROPRIETARY TO PROJECTS UNLIMITED, INC. ANY USE OR REPRODUCTION, IN ANY FORM, WITHOUT PRIOR WRITTEN PERMISSION OF PROJECTS UNLIMITED, INC. IS PROHIBITED.  
© 2003, Projects Unlimited Inc.

### SPECIFICATIONS

| PARAMETERS              | VALUES           | UNITS                |
|-------------------------|------------------|----------------------|
| RATED VOLTAGE           | 12               | Vdc                  |
| OPERATING VOLTAGE RANGE | 6 ~ 16           | Vdc                  |
| RATED CURRENT (MAX)     | 11               | mA                   |
| MINIMUM SPL @ 10 cm.    | 86               | dBA                  |
| RESONANT FREQUENCY      | 2,900±500        | Hz                   |
| tone OR PULSE RATE      | CHIME            | 0.5 PULSE PER SECOND |
| OPERATING TEMPERATURE   | -30 ~ +85        | °C                   |
| STORAGE TEMPERATURE     | -40 ~ +85        | °C                   |
| HOUSING MATERIAL        | NYLON            | -                    |
| TERMINAL MATERIAL       | Sn PLATED BRONZE | -                    |
| WEIGHT                  | 58               | grams                |

### REVISIONS

| LTR | DESCRIPTION               | DATE    | APPROVED |
|-----|---------------------------|---------|----------|
| -   | RELEASED FROM ENGINEERING | 6/21/06 |          |



#### NOTES:

- ALL DIMENSIONS ARE IN MILLIMETERS.
- SPECIFICATION SUBJECT TO CHANGE OR WITHDRAWAL WITHOUT NOTICE.
- THIS PART IS RoHS 2002/95/EC COMPLIANT.

THIS PART IS UL RECOGNIZED IN THE USA AND CANADA.

FILE NAME  
AI-4228-P-CH16-R.DWG

UNLESS OTHERWISE SPECIFIED:  
DIMENSIONS ARE IN MILLIMETERS, TOLERANCES ARE ±0.5 AND ANGLES ARE ±3°.

| APPROVALS            | DATE |
|----------------------|------|
| DRAWN <i>J.D.</i>    | 6/06 |
| CHECKED <i>E.P.</i>  | 6/06 |
| APPROVED <i>B.R.</i> | 6/06 |

DO NOT SCALE DRAWING



projects®  
unlimited

Dayton, Ohio

## INDICATOR

SIZE  
A

DRAWING NO.  
AI-4228-P-CH16-R

SCALE: N.T.S.

SHEET 1 OF 1